

Drawing



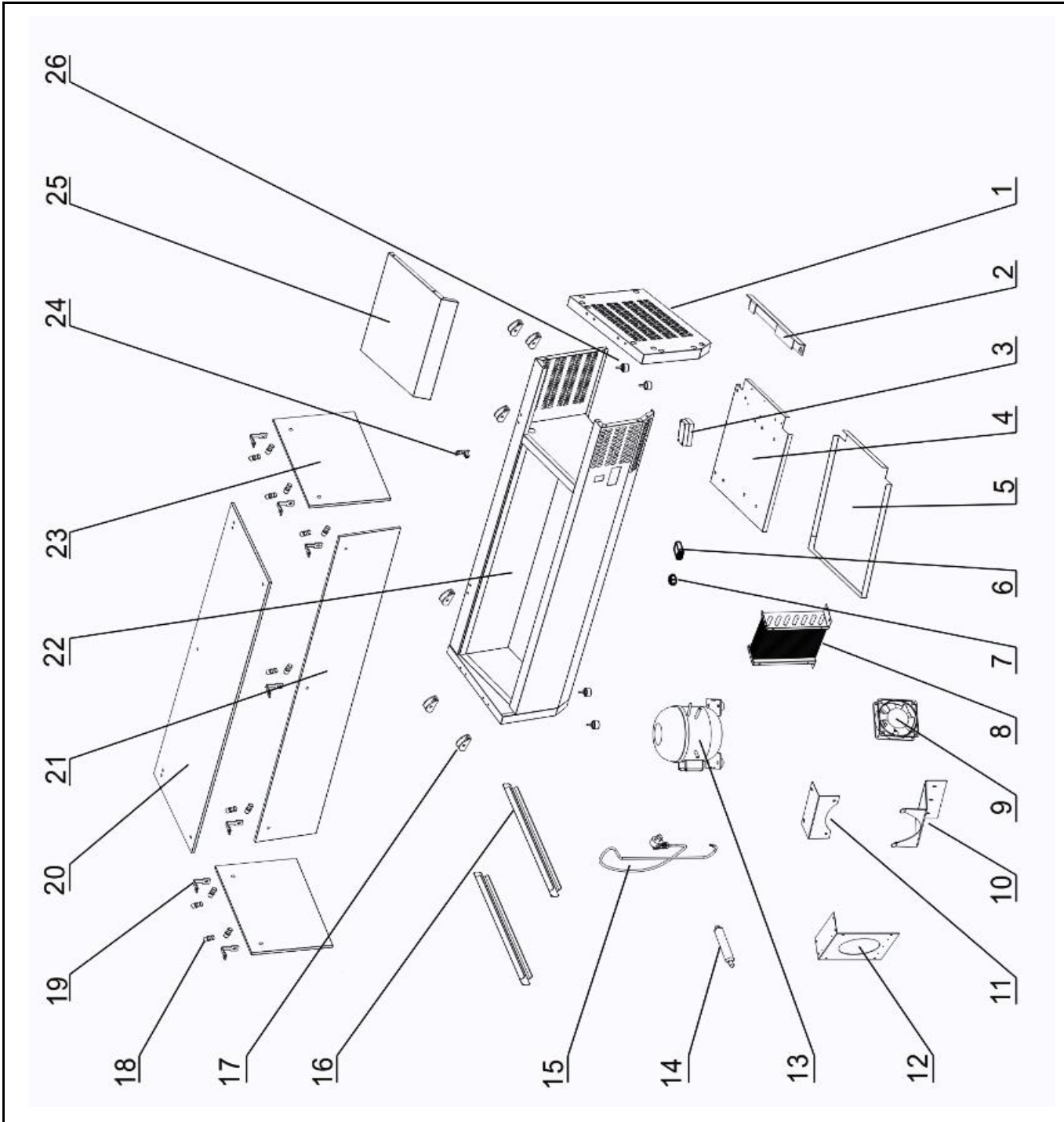
Hendi B.V.
 Steenoven 21
 3911 TX Rhenen
 The Netherlands

Batch #
 301418-000001
 and up


Appliance part#
232903

Description
 Cooling display 5x GN $\frac{1}{4}$

Date	28-11-2013	Revision #	Revision version
Revision	First bill of materials (BOM)		



Bill of materials (BOM)

 <p>HENDI FOOD SERVICE EQUIPMENT</p> <p>Hendi B.V. Steenoven 21 3911 TX Rhenen The Netherlands</p>	Batch #	Appliance part#
	301418-000001 and up	232903
	Description	
Cooling display 5x GN$\frac{1}{4}$		


Date	28-11-2013	Revision #	Revision version
Revision	First bill of materials (BOM)		

Item	Description	Part#	Quantity	Remark	Picture
1	Side cover	n/a	1		
2	Bracket side cover	n/a	1		
3	Junction Box	n/a	1		
4	Bracket	n/a	1		
5	Bottom cover	n/a	1		
6	Digital controller	931608	1		
7	Switch	931547	1		
8	Condenser	n/a	1		
9	Fan	931875	1		
10	Lower bracket fan	n/a	1		
11	Upper bracket fan	n/a	1		
12	Air duct	n/a	1		
13	Compressor	n/a	1		
14	Drying filter	n/a	1		
15	Power cord	931554	1		
16	Adaptor bar 270x75mm	931615	4		
17	Fixture glass	931639	6		
18	Bolt and nut	nss	14	Available as 931646	
19	Angle bracket	931646	7	Sold per pcs, Incl item 18	
20	Upper glass plate	931653	1	1193x330x8mm	
21	Back glass plate	931660	1	1170x175x8mm	
22	Frame	n/a	1		
23	Left / right glass plate	931677	2	330x195x8mm	
24	Holder probe	n/a	1		
25	Upper cover	n/a	1		
26	Feet	931523	4		

n/a -> not available

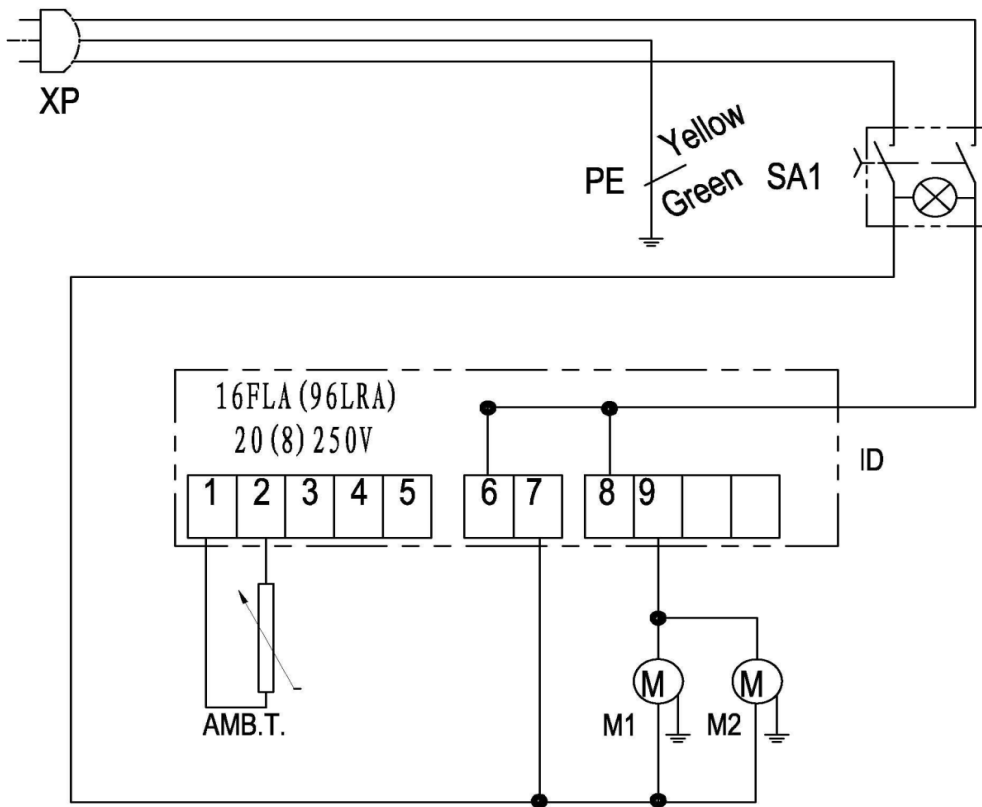
nss -> not sold separately

Circuit diagram

 <b style="font-size: 2em; font-weight: bold; color: red;">HENDI FOOD SERVICE EQUIPMENT Hendi B.V. Steenoven 21 3911 TX Rhenen The Netherlands	Batch #	Appliance part#
	301418-000001 and up	232903
	Description	
	Cooling display 5x GN $\frac{1}{4}$	

Date	28-11-2013	Revision #	Revision version
Revision	First bill of materials (BOM)		

Circuit diagram



7	ID	Microcomputer controller	XR02CX-5N0C1
6	SA1	Power switch	Red indicator light
5	ROOM	Cabinet temperature probe	
4	XP	Power plug	
3			
2	M2	Condenser fan	
1	M1	Compressor	
Number	Symbol	Fitting name	Remark